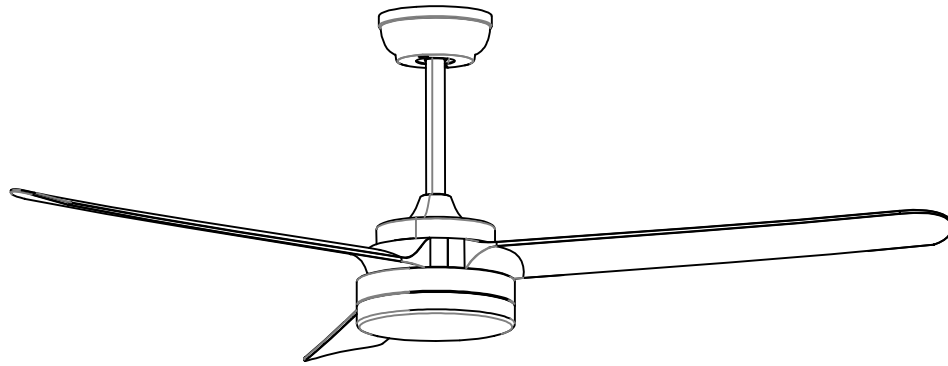
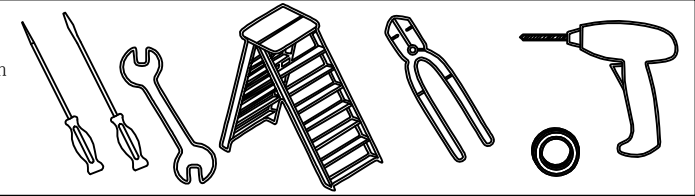


CEILING FAN INSTRUCTION MANUAL

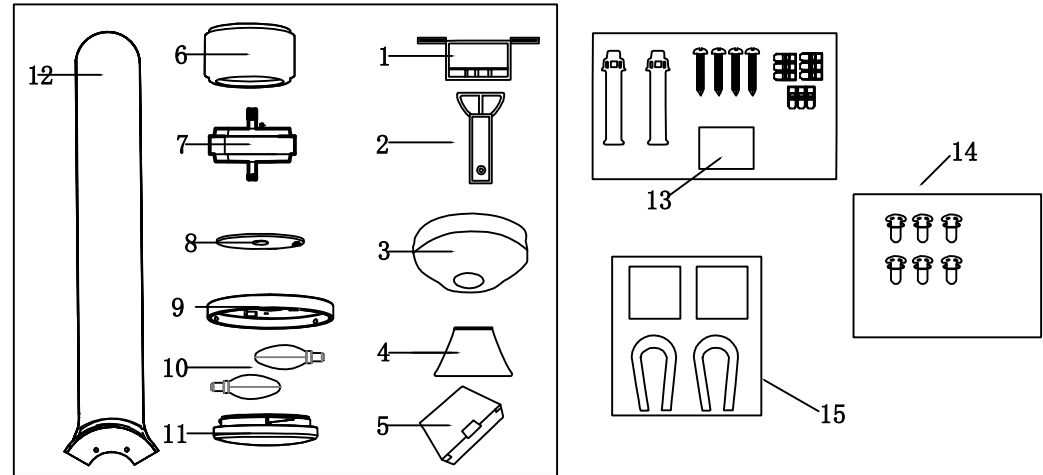


1. Installation tools

- Cross screwdriver
- Flat head screwdriver
- Adjustable clamp or wrench
- Stairs
- Wire cutting machine
- Electrical tape
- Impact drill



2. Part Control



NO.	Name	Quantity	NO.	Name	Quantity
1	Hanger support	1	10	Light source	2
2	5-inch rod	1	11	Translucent lampshade	1
3	Hanging bell	1	12	Fan blade	3
4	Horn hood	1	13	Spare parts kit	4
5	Remote control	1	14	Blade screw	6
6	Engine casing	1	15	Balancing package	4
7	Motor	1			
8	Circular disk	1			
9	Chassis lampshade	1			

1. Install the arrow, ball, clock, and horn cover

Remove the arrow. Thread the wiring block, bell, and horn decorative cover through the arrows.

(Pay attention to the direction of the horn and the decorative cover of the horn)

Insert the arrow into the lifting head, rotate the arrow to align it with the empty position, insert the long pin and locking pin, and lock the anti buffering screw.

Silicone ring hanging from the edge of the clock diameter (Figure 3)

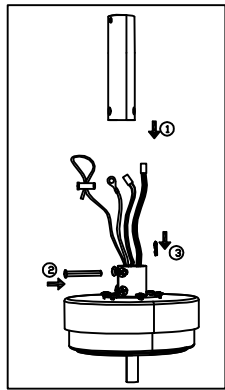


Figure 1

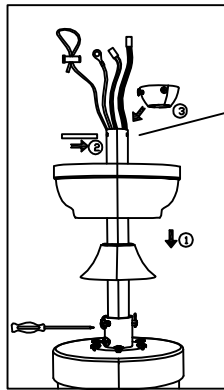


Figure 2

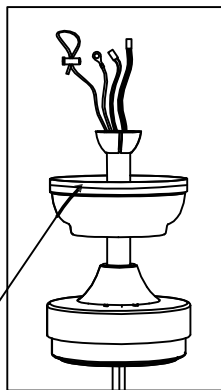
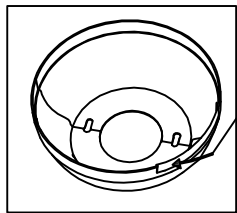
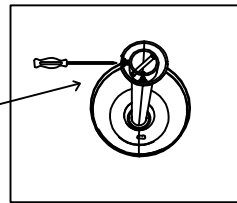
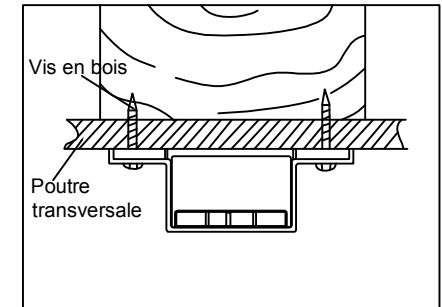


Figure 3

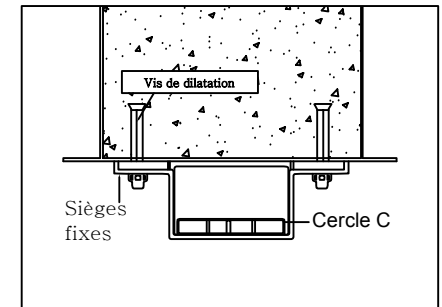
2

3. Hanger installation

1) Fix wooden brackets or ceilings with wooden screws.

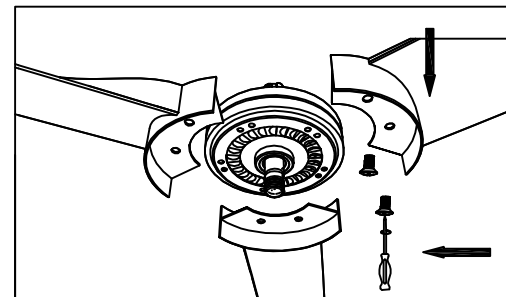


2) To use expansion bolts on the flap bracket of the concrete ceiling, an 8mm diameter expansion bolt needs to be drilled.



4. Installing the blade

Install the fan blades on the motor in sequence and tighten the screws on the fan blades in sequence.



3

5. Lamp installation

1. Connect the corresponding wires to the bottom of the lamp and motor.
2. Tighten the three screws on the sunroof frame
3. Light source installation and torsion direction view
4. Install the lamp cover in place.

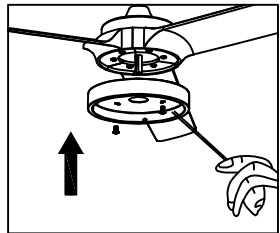
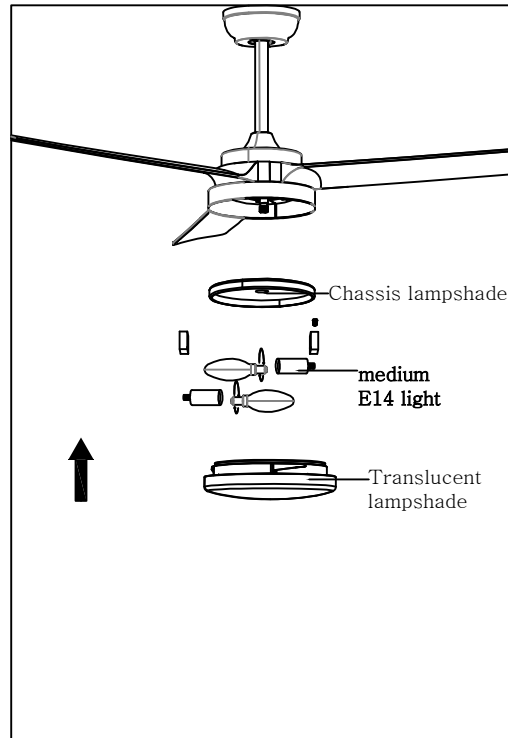


Figure 1

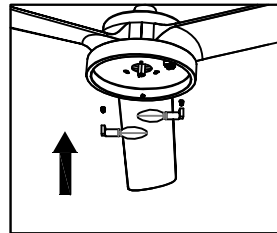


Figure 2

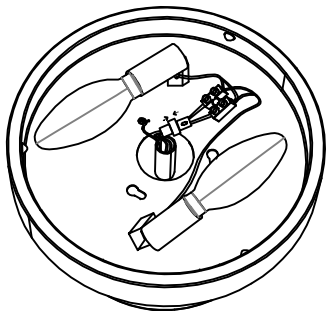


Figure 3

4

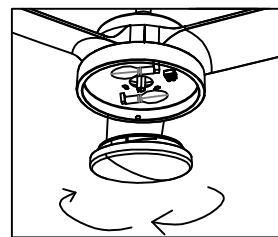
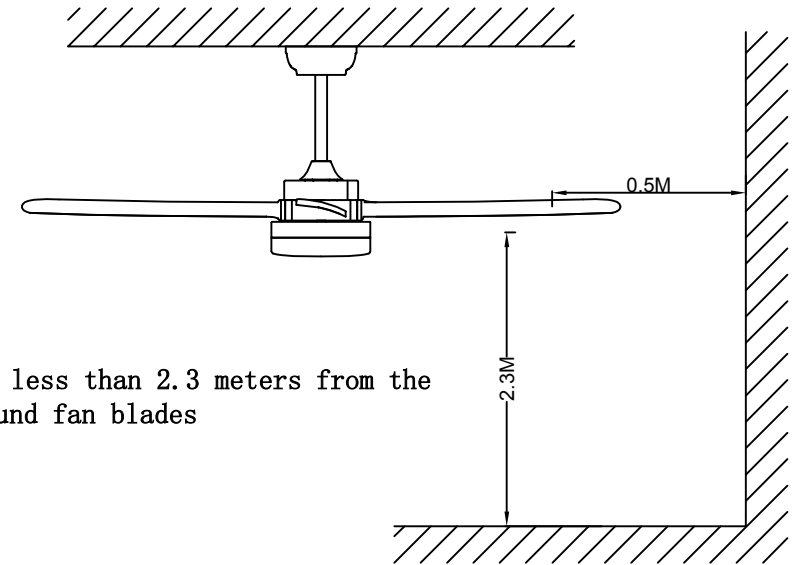


Figure 4

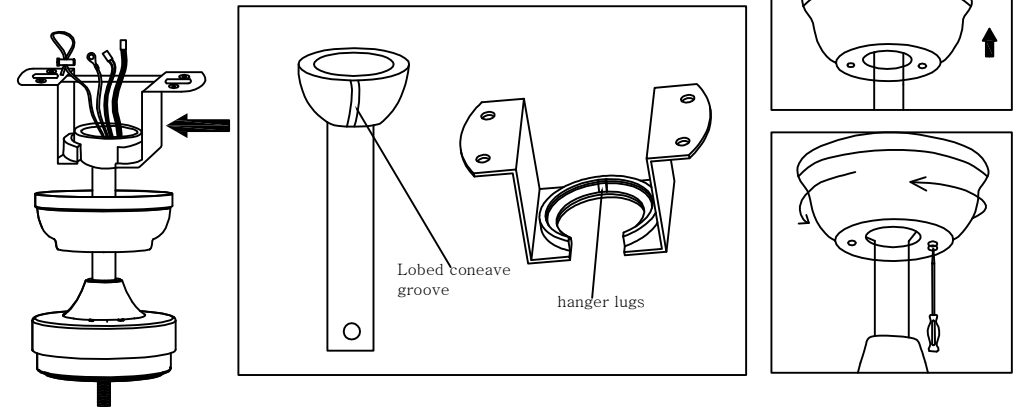
7. Installation height



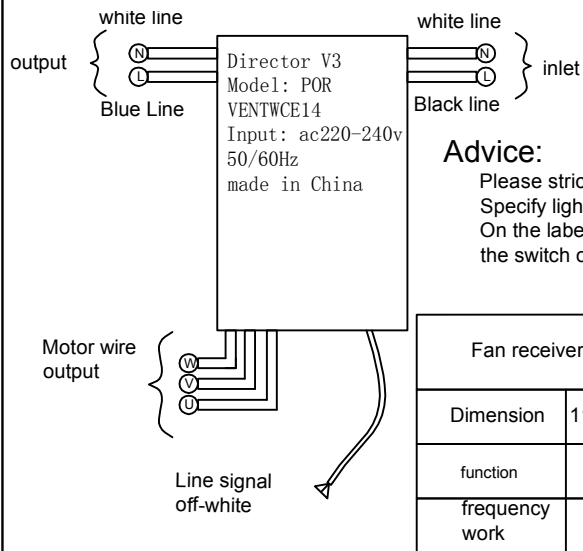
Not less than 2.3 meters from the ground fan blades

8. Install the lifting ball on the hanger

Place the lifting ball into the hanger and rotate it to secure the groove at the joint of the lifting top (in the hanger).



5



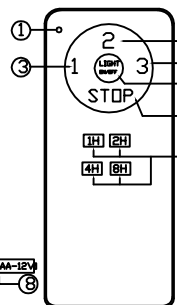
Advice:

Please strictly follow Specify light source parameter link On the label. Otherwise, it will directly affect the lifespan of the switch or cause immediate failure of the switch.

Fan receiver parameters		At temperature function	40°C (Domestic)
Dimension	115*50*25mm	Temperature. function	≥90%
function	AC150-240V	result Voltage	DC24V
frequency work	50/60HZ	power output	Up to 200W Source of Light

One sentence!!! Do not operate with power during installation, and the wiring should be installed according to national electrical standards.

- ① LED indicator light
- ② Lighting Switch
- ③ Fan 1 speed
- ④ Fan speed 2



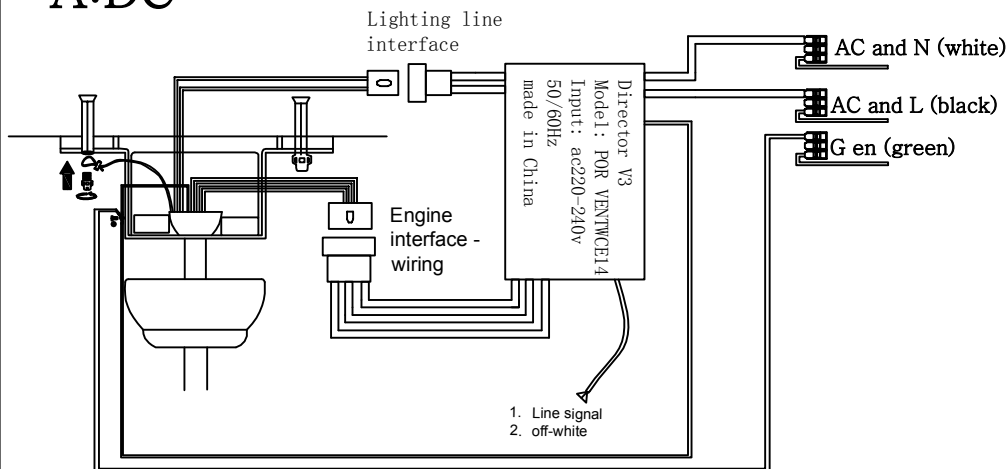
Remote control Fan		At temperature function	-50 ° C -40 ° C inside
Dimension	116*60*19mm	Temperature. function	≥90%
Voltage function	AAA-12V-23A (1 section)	Online loans electric current	≥2uA
frequency at work	433.92M (±75K)	distance Launch.	Domestic 100feet (360 degrees)

Advice:

- When the transmitter is unable to remotely control the receiver. Please check if the switch battery contacts are normal. If the positive and negative electrodes are placed correctly. Is there enough energy? (If the light is dimmed; replace the battery)
- When the transmitter is unable to remotely control the receiver. Please check if there are remote control products with the same frequency nearby. And check if the transmitter button is pressed, as simultaneous transmission of remote control products of the same frequency can cause interference and affect the effectiveness of receiving poor commands. If the remote control function is excluded, it will return to normal.
- 3. When using this product, do not place it in a place where children can play.
- 4. This product has a fan power-off memory function, and the last fan direction will automatically start the next time.
- 5. Code learning operation: Start the machine for 1 minute, press and hold the "1 hour" key to turn on the indicator light, and the receiver will send out the code learning successful A beep.
- 6. When the remote control cannot be effectively controlled: Please check the battery and remove it when not in use for a long time.

9. Inserting the power cord

A:DC



Locking cables and grounding wires

1. Loosen the expansion screw, tighten the steel wire rope, and tighten the screw to fix the steel wire rope.
2. Lock the input power grounding wire, lifting head grounding wire, and receiver grounding wire onto the hanger.

10. Fan balance adjustment

The fan has been installed. If it vibrates from top to bottom, please check the screws
 If the blade, suspension rod, and lamp kit are fixed, if not, please fix them
 Use a screwdriver. If you are still trembling, please use the stool in the balance kit
 And check the balance kit instructions inside the cardboard box.

Tip: Maintenance of ceiling fans

- 1) As the ceiling fan is still working, please regularly check if the hanger, fan blades, wallet and other components are loose. If they are not loose, please fix them in a timely manner to ensure the safe operation of the ceiling fan.
- 2) Regularly keep the ceiling fan clean. Only use a soft brush or lint free cloth to gently clean. Do not use damp cloth or other destructive cleaning agents.
- 3) Do not add lubricating oil or lubricants to any part of this product.

Safety instructions

To reduce the occurrence of electric shock, the power cord is connected to the fan and disconnect switch must be installed at all poles (distance The aperture of the switch contact is 3mm.
If you have electrical knowledge, be sure to keep your "electrician card" Professional personnel will install it for you.

2. To avoid the risk of electric shock, install and disassemble the ceiling fan Install before cutting off the power supply first. Must be grounded, live wire, command The installation of the zero line must be disassembled to the zero line, live line Ground order.

3. To reduce electric shock or accidents, do not use a regulator or Non local switch.
When installing the ceiling fan, different components need to be determined Screw locking.

5. When rotating the ceiling fan, the blades must not come into contact with any objects to avoid danger.

6. Choose a suitable location to install ceiling fans and blades
The distance between the ceiling fan and the ground must be at least 2.3 meters.

7. To change the direction of rotation of the fan, please turn off the fan and wait for the blades Stop rotating after adjusting the frequency converter.

8. The power of this machine is 120v/60hz, and the maximum power of the motor is 60w (Specifications and models of ceiling fans, including motor power)
Each light source will have a maximum of 40W, depending on the difference.

9. Regarding how to install the ceiling fan and connect the power supply, please read Carefully check the assembly procedure of the fan.

10. Do not clean the ceiling fan blades, directly use water or clean them Detergent, wipe with a dry or slightly damp cloth
Dust. Before cleaning the ceiling fan, it must be Turn off the power switch.

Required tools

- Cross screwdriver
- Flat head screwdriver
- Adjustable clamp or wrench
- Stairs
- Wire cutting machine
- Electrical tape

