

SERIES WP68



The waterproof connectors WP68 are intended for making connections in permanent and temporary electrical installations under IP68 in a fast and safety way.

The mechanical coding prevents incorrect connection.



The waterproof inline connectors are intended for use in permanent electrical installations which require a full protection against damp and water.



Raw materials:

Body: Polyamide 6.6 and Polyamide 6.6 with 30% of glass fiber

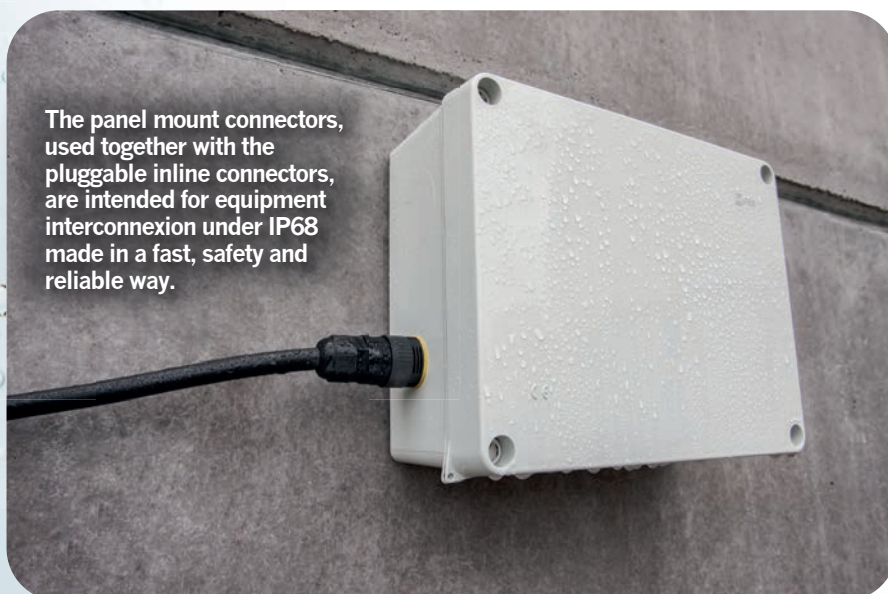
Insert: nickel - plated brass.

Screws: zink- plated steel. Metric thread.



IP68 1m-1h / IP66
For correctly
connected sets

EN 61984
EN60998-1 2004
EN60998-2-1 2004
EN62444 2013
UL2238 / UL1977



The panel mount connectors, used together with the pluggable inline connectors, are intended for equipment interconnexion under IP68 made in a fast, safety and reliable way.





The pluggable waterproof inline connectors are intended for connecting temporary or permanent installations where an IP68 is required without using resins or enclosures.



INLINE CONNECTORS

INLINE CONNECTOR 2 POLES

WP2/L		18 pcs.	150x120x110 mm	0,51 Kg
SOLID CABLE 14-15 mm 7.8 mm 0,5 -2,5 mm ²	FLEXIBLE CABLE 14-15 mm 7.8 mm 1,0 -2,5 mm ²	 71 ⁺⁴ 23,6		
Cable seals included Ø7mm, Ø8mm Ø9,5mm		0,6 Nm	M 3	-40°C +85°C
Voltage 450V	Current rating 17,5A			

INLINE CONNECTOR 2 POLES + ⚡

WP3/L		18 pcs.	150x120x110 mm	0,56 Kg
SOLID CABLE 14-15 mm 7.8 mm 0,5 -2,5 mm ²	FLEXIBLE CABLE 14-15 mm 7.8 mm 1,0 -2,5 mm ²	 71 ⁺⁴ 23,6		
Cable seals included Ø8mm Ø9,5mm Ø11,5mm		0,6 Nm	M 3	-40°C +85°C
Voltage 450V	Current rating 17,5A			

INLINE CONNECTOR 4 POLES

WP4/L		18 pcs.	150x120x110 mm	0,60 Kg
SOLID CABLE 14-15 mm 7.8 mm 0,5 -2,5 mm ²	FLEXIBLE CABLE 14-15 mm 7.8 mm 1,0 -2,5 mm ²	 71 ⁺⁴ 23,6		
Cable seals included Ø8mm Ø9,5mm Ø11,5mm		0,6 Nm	M 3	-40°C +85°C
Voltage 450V	Current rating 17,5A			

SERIES WP68








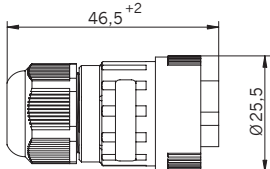
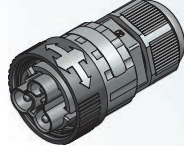



PLUG AND SOCKET






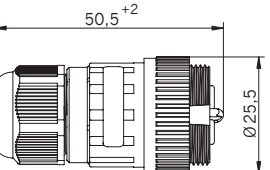




PLUG PLUGGABLE CONNECTOR 2 POLES





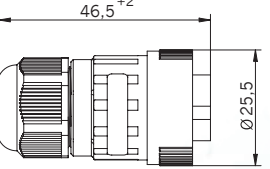
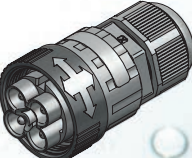



WP2/M		25 pcs.	150x120x110 mm	0,46 Kg
SOLID CABLE 14,15 mm 7,8 mm 0,5 -2,5 mm ²	FLEXIBLE CABLE 14,15 mm 7,8 mm 1,0 -2,5 mm ²	 46,5 ⁺² Ø25,5	 Works with: WP2/H and WP2/EH	
Cable seals included Ø7mm, Ø8mm Ø9,5mm		0,6 Nm	M 3	-40°C +85°C
Voltage 450V	Current rating 17,5A			





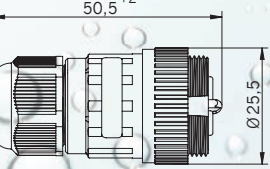
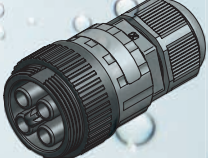



SOCKET PLUGGABLE CONNECTOR 2 POLES

WP2/H		25 pcs.	150x120x110 mm	0,51 Kg
SOLID CABLE 14,15 mm 7,8 mm 0,5 -2,5 mm ²	FLEXIBLE CABLE 14,15 mm 7,8 mm 1,0 -2,5 mm ²	 50,5 ⁺² Ø25,5	 Works with: WP2/M	
Cable seals included Ø7mm, Ø8mm Ø9,5mm		0,6 Nm	M 3	-40°C +85°C
Voltage 450V	Current rating 17,5A			

PLUG PLUGGABLE CONNECTOR 2 POLES + 				
WP3/M		 25 pcs.	150x120x110 mm	 0,52 Kg
SOLID CABLE  0,5 -2,5 mm ²	FLEXIBLE CABLE  1,0 -2,5 mm ²	 46,5 ⁺² Ø25,5		
Cable seals included Ø8mm, Ø9,5mm Ø11,5mm		 0,6 Nm	 M 3	 -40°C +85°C
Voltage 450V		Current rating 17,5A		<i>Works with: WP3/H, WP3/EH and WP3/DTE</i>






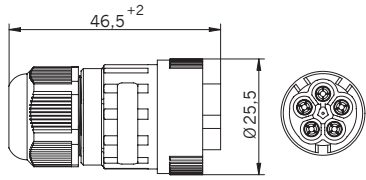
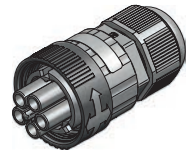



SOCKET PLUGGABLE CONNECTOR 2 POLES + 				
WP3/H		 25 pcs.	150x120x110 mm	 0,57 Kg
SOLID CABLE  0,5 -2,5 mm ²	FLEXIBLE CABLE  1,0 -2,5 mm ²	 50,5 ⁺² Ø25,5		
Cable seals included Ø8mm Ø9,5mm Ø11,5mm		 0,6 Nm	 M 3	 -40°C +85°C
Voltage 450V		Current rating 17,5A		<i>Works with: WP3/M</i>






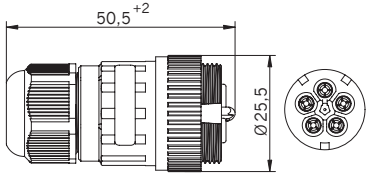
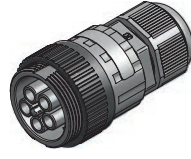



PLUG PLUGGABLE CONNECTOR 4 POLES				
WP4/M		 25 pcs.	150x120x110 mm	 0,58 Kg
SOLID CABLE  0,5 -2,5 mm ²	FLEXIBLE CABLE  1,0 -2,5 mm ²	 46,5 ⁺² Ø25,5		
Cable seals included Ø8mm Ø9,5mm Ø11,5mm		 0,6 Nm	 M 3	 -40°C +85°C
Voltage 450V		Current rating 17,5A		<i>Works with: WP4/H and WP4/EH</i>

SOCKET PLUGGABLE CONNECTOR 4 POLES				
WP4/H		 25 pcs.	150x120x110 mm	 0,58 Kg
SOLID CABLE  0,5 -2,5 mm ²	FLEXIBLE CABLE  1,0 -2,5 mm ²	 50,5 ⁺² Ø25,5		
Cable seals included Ø8mm Ø9,5mm Ø11,5mm		 0,6 Nm	 M 3	 -40°C +85°C
Voltage 450V		Current rating 17,5A		<i>Works with: WP4/M</i>





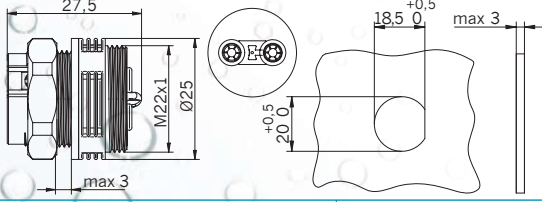




SERIES WP68

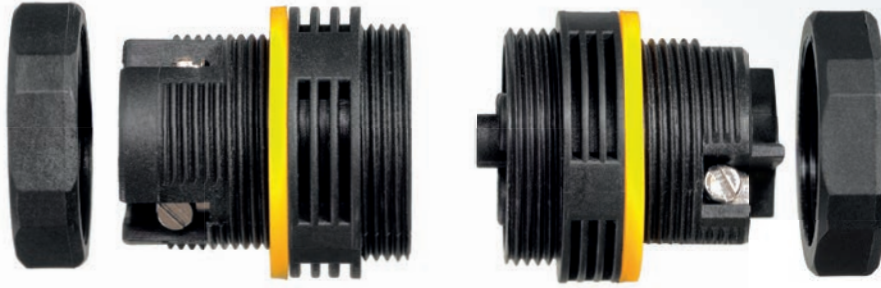


PLUG PLUGGABLE CONNECTOR 4 POLES + 				
WP5/M		 25 pcs.	150x120x110 mm	 0,53 Kg
SOLID CABLE  0,5 -1,5 mm ²	FLEXIBLE CABLE  1,0 -1,5 mm ²		 <i>Works with: WP5/H and WP5/EH</i>	
Cable seals included Ø9,5mm Ø11,5mm Ø12,5mm		 0,6 Nm	 M 2,5	 -40°C +85°C
Voltage 450V	Current rating 15A			

SOCKET PLUGGABLE CONNECTOR 4 POLES + 				
WP5/H		 25 pcs.	150x120x110 mm	 0,56 Kg
SOLID CABLE  0,5 -1,5 mm ²	FLEXIBLE CABLE  1,0 -1,5 mm ²		 <i>Works with: WP5/M</i>	
Cable seals included Ø9,5mm Ø11,5mm Ø12,5mm		 0,6 Nm	 M 2,5	 -40°C +85°C
Voltage 450V	Current rating 15A			

PANEL MOUNT CONNECTORS

SOCKET PANEL MOUNT CONNECTOR 2 POLES				
WP2/EH		 25 pcs.	150x120x110 mm	 0,34 Kg
SOLID CABLE  0,5 -2,5 mm ²	FLEXIBLE CABLE  1,0 -2,5 mm ²		 <i>Works with: WP2/M</i>	
Voltage 450V	Current rating 17,5A	 0,6 Nm	 M 3	 -40°C +85°C






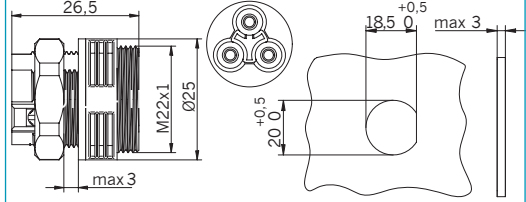
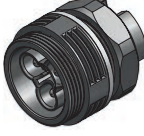










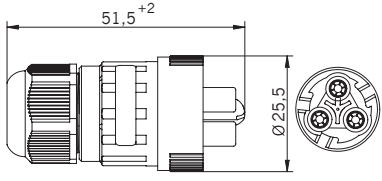
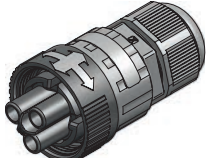



PLUG PANEL MOUNT CONNECTOR 2 POLES				
WP2/EM	BUILT - IN	25 pcs.	150x120x110 mm	0,34 Kg
SOLID CABLE 14-15 mm 7.8 mm 0,5 -2,5 mm ²	FLEXIBLE CABLE 14-15 mm 7.8 mm 1,0 -2,5 mm ²	 26.5 M22x1 Ø25 max3 +0.5 18.5 0 max 3 +0.5 20.0		 <i>Works with: WP2/HEM</i>
Voltage 450V	Current rating 17,5A	0,6 Nm	M 3	-40°C +85°C





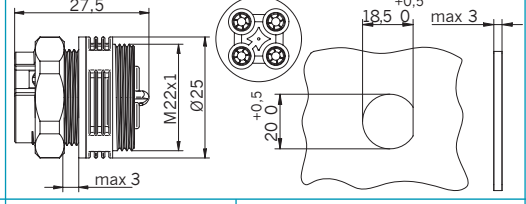




SOCKET CONNECTOR TO BE CONNECTED TO A PLUG PANEL MOUNT CONNECTOR 2 POLES				
WP2/HEM		25 pcs.	150x120x110 mm	0,51 Kg
SOLID CABLE 14-15 mm 7.8 mm 0,5 -2,5 mm ²	FLEXIBLE CABLE 14-15 mm 7.8 mm 1,0 -2,5 mm ²	 51,5 ⁺² Ø 25,5		 <i>Works with: WP2/EM</i>
Cable seals included Ø7mm, Ø8mm Ø9,5mm		0,6 Nm	M 3	-40°C +85°C
Voltage 450V	Current rating 17,5A			





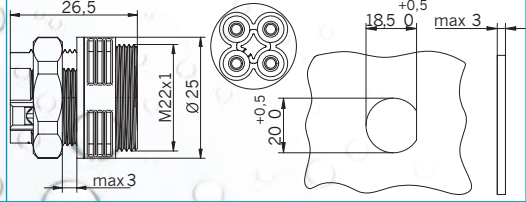
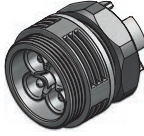



SOCKET PANEL MOUNT CONNECTOR 2 POLES + ⊕				
WP3/EH	BUILT - IN	25 pcs.	150x120x110 mm	0,40 Kg
SOLID CABLE 14-15 mm 7.8 mm 0,5 -2,5 mm ²	FLEXIBLE CABLE 14-15 mm 7.8 mm 1,0 -2,5 mm ²	 27.5 M22x1 Ø25 max3 +0.5 18.5 0 max 3 -0.5 20.0		 <i>Works with: WP3/M</i>
Voltage 450V	Current rating 17,5A	0,6 Nm	M 3	-40°C +85°C

SERIES WP68



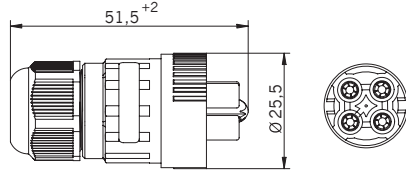
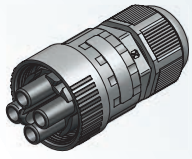



PLUG PANEL MOUNT CONNECTOR 2 POLES + 				
WP3/EM	BUILT - IN	 25 pcs.	150x120x110 mm	 0,40 Kg
SOLID CABLE  14-15 mm 7-8 mm 0,5 -2,5 mm ²	FLEXIBLE CABLE  14-15 mm 7-8 mm 1,0 -2,5 mm ²	 26,5 M22x1 Ø25 max 3 18,5 ^{+0,5} 20,0 ^{+0,5}		 <i>Works with: WP3/HEM</i>
Voltage 450V	Current rating 17,5A	 0,6 Nm	 M 3	 -40°C +85°C

SOCKET CONNECTOR TO BE CONNECTED TO A PLUG PANEL MOUNT CONNECTOR 2 POLES + 				
WP3/HEM		 25 pcs.	150x120x110 mm	 0,52 Kg
SOLID CABLE  14-15 mm 7-8 mm 0,5 -2,5 mm ²	FLEXIBLE CABLE  14-15 mm 7-8 mm 1,0 -2,5 mm ²	 51,5 ⁺² Ø25,5		 <i>Works with: WP3/EM and WP3/DTE</i>
Cable seals included Ø8mm Ø9,5mm Ø11,5mm	Voltage 450V	Current rating 17,5A	 0,6 Nm	 M 3
				 -40°C +85°C



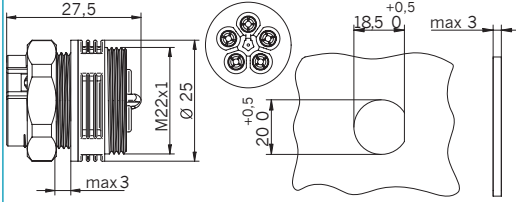
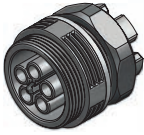



SOCKET PANEL MOUNT CONNECTOR 4 POLES				
WP4/EH	BUILT - IN	 25 pcs.	150x120x110 mm	 0,44 Kg
SOLID CABLE  14-15 mm 7-8 mm 0,5 -2,5 mm ²	FLEXIBLE CABLE  14-15 mm 7-8 mm 1,0 -2,5 mm ²	 27,5 M22x1 Ø25 max 3 18,5 ^{+0,5} 20,0 ^{+0,5}		 <i>Works with: WP4/M</i>
Voltage 450V	Current rating 17,5A	 0,6 Nm	 M 3	 -40°C +85°C

PLUG PANEL MOUNT CONNECTOR 4 POLES				
WP4/EM	BUILT - IN	 25 pcs.	150x120x110 mm	 0,44 Kg
SOLID CABLE  14-15 mm 7-8 mm 0,5 -2,5 mm ²	FLEXIBLE CABLE  14-15 mm 7-8 mm 1,0 -2,5 mm ²	 26,5 M22x1 Ø25 max 3 18,5 ^{+0,5} 20,0 ^{+0,5}		 <i>Works with: WP4/HEM</i>
Voltage 450V	Current rating 17,5A	 0,6 Nm	 M 3	 -40°C +85°C



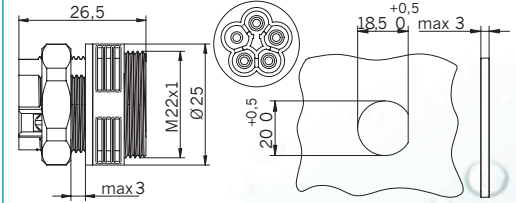




SOCKET CONNECTOR TO BE CONNECTED TO A PLUG PANEL MOUNT CONNECTOR 4 POLES

WP4/HEM		25 pcs.	150x120x110 mm	0,54 Kg
SOLID CABLE  0,5 -1,5 mm ²	FLEXIBLE CABLE  1,0 -1,5 mm ²			 <i>Works with: WP4/EM</i>
Cable seals included Ø8mm Ø9,5mm Ø11,5mm		 0,6 Nm	 M 2,5	 -40°C +85°C
Voltage 450V	Current rating 17,5A			



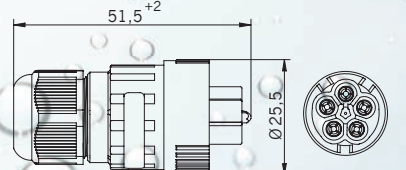
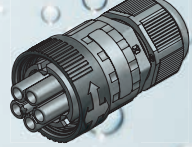



SOCKET PANEL MOUNT CONNECTOR 4 POLES + ⚡

WP5/EH		BUILT - IN	25 pcs.	150x120x110 mm	0,41 Kg
SOLID CABLE  0,5 -1,5 mm ²	FLEXIBLE CABLE  1,0 -1,5 mm ²			 <i>Works with: WP5/M</i>	
Voltage 450V	Current rating 15A	 0,6 Nm	 M 2,5	 -40°C +85°C	

PLUG PANEL MOUNT CONNECTOR 4 POLES + ⚡

WP5/EM		BUILT - IN	25 pcs.	150x120x110 mm	0,41 Kg
SOLID CABLE  0,5 -1,5 mm ²	FLEXIBLE CABLE  1,0 -1,5 mm ²			 <i>Works with: WP5/HEM</i>	
Voltage 450V	Current rating 15A	 0,6 Nm	 M 2,5	 -40°C +85°C	

SOCKET CONNECTOR TO BE CONNECTED TO A PLUG PANEL MOUNT CONNECTOR 4 POLES + ⚡

WP5/HEM			25 pcs.	150x120x110 mm	0,53 Kg
SOLID CABLE  0,5 -1,5 mm ²	FLEXIBLE CABLE  1,0 -1,5 mm ²			 <i>Works with: WP5/EM</i>	
Cable seals included Ø9,5mm Ø11,5mm Ø12,5mm		 0,6 Nm	 M 2,5	 -40°C +85°C	
Voltage 450V	Current rating 15A				

TEE CONNECTORS

WP3/DT



WP3/DTE



Connector leads
WP3/M

Power supply with connector
WP3/HEM

TEE CONNECTOR 1 INPUT / 2 OUTPUTS - 2 POLES

WP2/DT		6 pcs.	150x120x110 mm	0,29 Kg
SOLID CABLE	FLEXIBLE CABLE			
<p>0,75 -1,5 mm²</p>	<p>0,75 -1,5 mm²</p>	0,5 Nm	M 3	-40°C +85°C
Cable seals included Ø7mm Ø8mm Ø9,5mm				
Voltage 450V	Current rating 24A			

TEE CONNECTOR 1 INPUT / 2 OUTPUTS - 2 POLES +







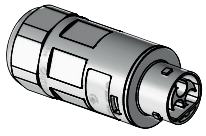



WP3/DT		6 pcs.	150x120x110 mm	0,32 Kg
SOLID CABLE	FLEXIBLE CABLE			
<p>0,75 -1,5 mm²</p>	<p>0,75 -1,5 mm²</p>	0,5 Nm	M 3	-40°C +85°C
Cable seals included Ø8mm Ø9,5mm Ø11,5mm				
Voltage 450V	Current rating 32A			

TEE CONNECTOR 1 INPUT / 2 OUTPUTS - 2 POLES +





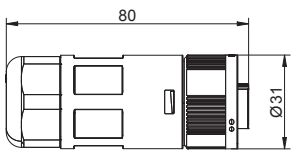

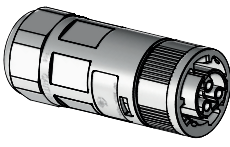



WP3/DTE		25 pcs.	150x120x110 mm	0,32 Kg
Power supply with connector WP3/HEM Connector leads WP3/M		-40°C +85°C Voltage/Current rating 450V /32A		

32 AMPERES





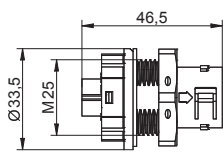

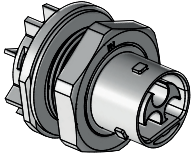



PLUG PLUGGABLE CONNECTOR 2 POLES +

WP3/M32		 10 pcs.	150x120x110 mm	 0,52 Kg
SOLID CABLE  1,5 - 6,0 mm ²	FLEXIBLE CABLE  2,0 - 6,0 mm ²	  		<i>Works with: WP3/H32</i>
Cable seals included Ø13mm, Ø14mm Ø15mm		 0,8 Nm	 M 3,5	 -40°C +85°C
Voltage 250V	Current rating 32A			

SOCKET PLUGGABLE CONNECTOR 2 POLES +

WP3/H32		 10 pcs.	150x120x110 mm	 0,58 Kg
SOLID CABLE  1,5 - 6,0 mm ²	FLEXIBLE CABLE  2,0 - 6,0 mm ²	  		<i>Works with: WP3/M32 and WP3/EM32</i>
Cable seals included Ø13mm, Ø14mm Ø15mm		 0,8 Nm	 M 3,5	 -40°C +85°C
Voltage 250V	Current rating 32A			

PLUG PANEL MOUNT CONNECTOR 2 POLES +

WP3/EM32		BUILT - IN	 20 pcs.	150x120x110 mm	 0,58 Kg
SOLID CABLE  1,5 - 6,0 mm ²	FLEXIBLE CABLE  2,0 - 6,0 mm ²	  		<i>Works with: WP3/H32</i>	
Cable seals included Ø13mm, Ø14mm Ø15mm		 0,8 Nm	 M 3,5	 -40°C +85°C	
Voltage 250V	Current rating 32A				



ACCESORIES (CABLE GLANDS AND TOOL)

CAP INTERNAL THREAD		0,34 Kg	CAP EXTERNAL THREAD		0,37 Kg
WP/TI	150x120x110 mm	60 pcs.	WP/TE	150x120x110 mm	60 pcs.

CAP FOR CONNECTOR WP3/M32		0,34 Kg	CAP FOR CONNECTOR WP3/H32		0,37 Kg
WP/TM32	150x120x110 mm	10 pcs.	WP/TH32	150x120x110 mm	10 pcs.

TOOL

WP/TOOL

Each package of connectors contains two free tools inside. In case of need more units, ask for it.

Check correspondece table (next page) in order to find the references for each cap.

CORRESPONDENCE TABLES

AIR	PAIR
WP2/M	WP2/H
	WP2/EH
WP3/M	WP3/H
	WP3/EH
	WP3/DTE
WP4/M	WP4/H
	WP4/EH
WP5/M	WP5/H
	WP5/EH
WP2/HEM	WP2/EM
WP3/HEM	WP3/EM
	WP3/DTE
WP3/H32	WP3/M32
	WP3/EM32
WP4/HEM	WP4/EM
WP5/HEM	WP5/EM

PROTECTIVE COVER	CONNECTOR
WP/TI	WP2/H
	WP3/H
	WP4/H
	WP5/H
	WP2/EM
	WP3/EM
	WP4/EM
	WP5/EM
	WP2/EH
	WP3/EH
	WP4/EH
	WP5/EH
	WP3/DTE
WP/TE	WP2/M
	WP3/M
	WP4/M
	WP5/M
	WP2/HEM
	WP3/HEM
	WP4/HEM
	WP5/HEM
WP/TM32	WP3/M32
	WP3/EM32
WP/TH32	WP3/H32