

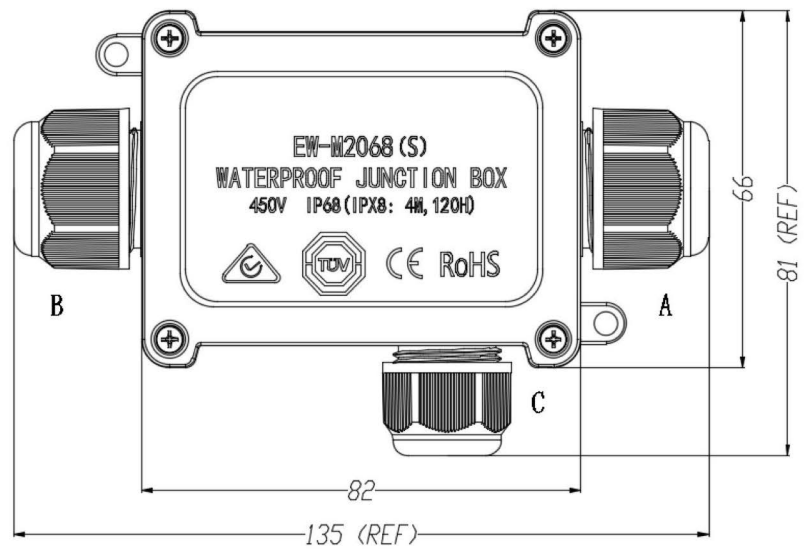
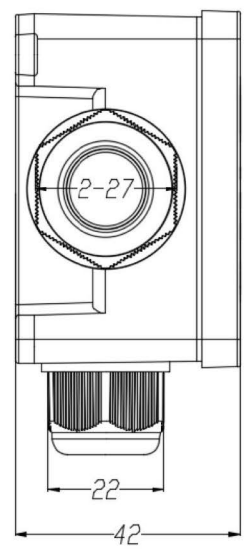
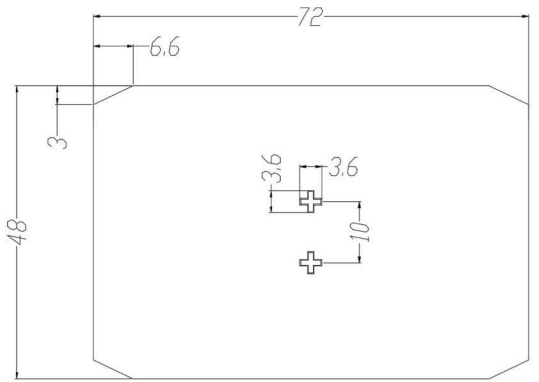
Raw Material	PA66, SILICONE, STAINLESS STEEL
Certification	SAA/TUV/RoHS/CE
Flame-resistant rating	UL94 V-2
Level of protection	IP68
Voltage rating	450 V
Withstanding voltage	2500 V
Cable gague	0.5~6.0mm ²
Operating temperature	-40~105 °C

REV	DESCRIPTION	DESIGN	DATE
A0	NEW DRAWING	MYJ	2022/5/10



Part Number	Rubbers Diameter(d)	Outer Cable Diameter
EW-M2068S-3T	A/B: φ14mm	φ10~14 mm
	A/B: φ12mm	φ9~12 mm
	A/B: φ8.5mm	φ5~9 mm
	C: φ11.5mm	φ9~12 mm
	C: φ8.5mm	φ5~9 mm

INNER SIZE
L: 71 mm W:47 mm H: 32 mm



TOLERANCE UNSPECIFIED				UNIT	mm	DRAW		P/N	EW-M2068S-3T
X. ±0.35	X.XX ±0.10	X.° ±3°		SCALE	1:1	CHKD			
X.X ±0.20	X.XXX ±0.05	X.X° ±2°		SHEET	1/1	APPD		TITLE	WATERPROOF JUNCTION BOX
		X.XX° ±1°							