

# SERIES WP68

The waterproof connectors WP68 are intended for making connections in permanent and temporary electrical installations under IP68 in a fast and safety way.

The mechanical coding prevents incorrect connection.



The waterproof inline connectors are intended for use in permanent electrical installations which require a full protection against damp and water.



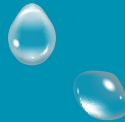
## Raw materials:

**Plastic body:** PA66 / PA6630% GB

**Insert:** nickel - plated brass.

**Screws:** zink- plated steel. Metric thread.

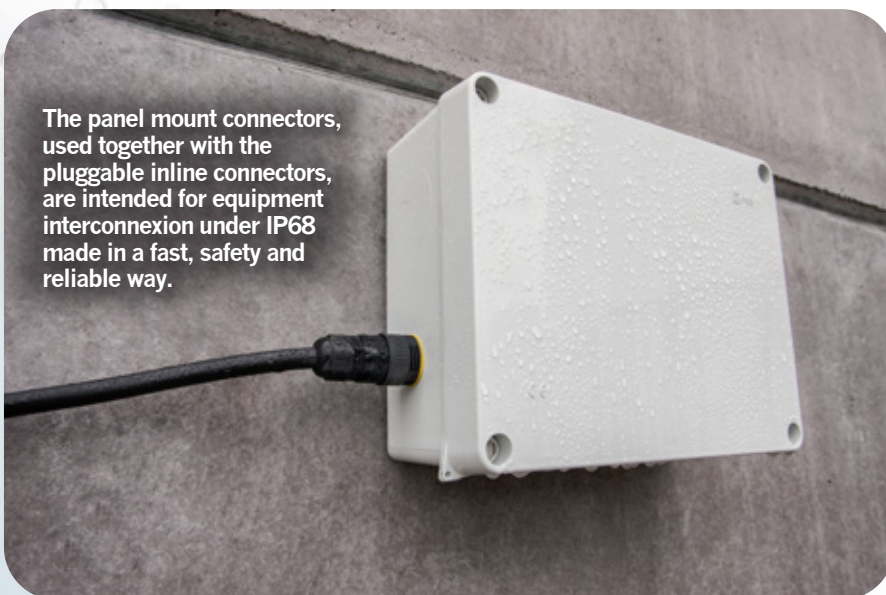
**Working temperature:** -40° +85°



**IP68 30m-2h / IP69K  
for correctly  
connected sets**

EN 61984  
EN60998-1 2004  
EN60998-2-1 2004  
EN62444 2013  
UL2238 / UL1977

The panel mount connectors, used together with the pluggable inline connectors, are intended for equipment interconnexion under IP68 made in a fast, safety and reliable way.


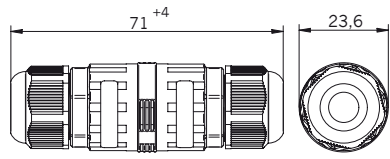

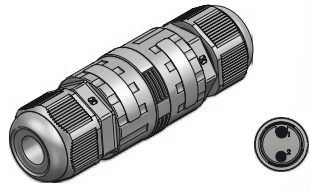

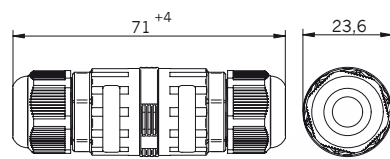

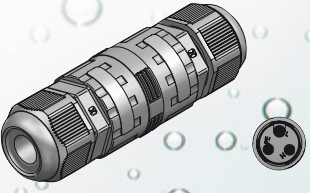

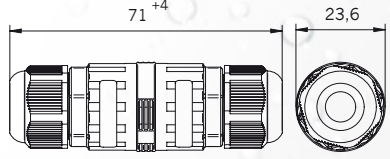

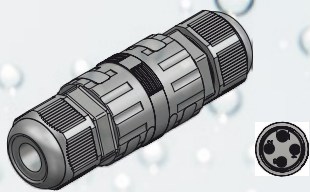


**NEW PRODUCT!**



The pluggable waterproof inline connectors are intended for connecting temporary or permanent installations where an IP68 is required without using resins or enclosures.



INLINE CONNECTOR 2 POLES			
<b>WP2/L</b>		18 pcs. 150x120x110 mm	0,51 Kg
<b>FLEXIBLE CABLE</b>  0,5 -2,5 mm <sup>2</sup> Cable seals included Ø7mm, Ø8mm Ø9,5mm		 -40°C +85°C Voltage/Current rating 450V / 17,5A	
INLINE CONNECTOR IP68 2 POLES + ⚡			
<b>WP3/L</b>		18 pcs. 150x120x110 mm	0,56 Kg
<b>FLEXIBLE CABLE</b>  0,5 -2,5 mm <sup>2</sup> Cable seals included Ø8mm, Ø9,5mm Ø11,5mm		 -40°C +85°C Voltage/Current rating 450V / 17,5A	
INLINE CONNECTOR 4 POLES			
<b>WP4/L</b>		18 pcs. 150x120x110 mm	0,60 Kg
<b>FLEXIBLE CABLE</b>  0,5 -2,5 mm <sup>2</sup> Cable seals included Ø8mm, Ø9,5mm Ø11,5mm		 -40°C +85°C Voltage/Current rating 450V / 17,5A	

# SERIES WP68



## PLUG PLUGGABLE CONNECTOR 2 POLES

<b>WP2/M</b>			25 pcs. 150x120x110 mm	0,46 Kg
<b>FLEXIBLE CABLE</b>	<p>0,5 -2,5 mm<sup>2</sup></p> <p>Cable seals included Ø7mm, Ø8mm Ø9,5mm</p>		<p>Voltage/Current rating 450V / 17,5A</p>	





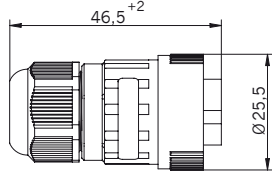


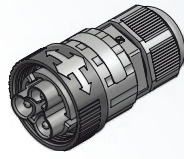
## SOCKET POLUGGABLE CONNECTOR 2 POLES





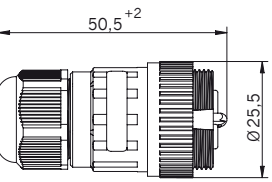



<b>WP2/H</b>			25 pcs. 150x120x110 mm	0,51 Kg
<b>FLEXIBLE CABLE</b>	<p>0,5 -2,5 mm<sup>2</sup></p> <p>Cable seals included Ø7mm, Ø8mm Ø9,5mm</p>		<p>Voltage/Current rating 450V / 17,5A</p>	








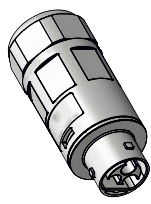
## SOCKET CONNECTOR TO BE CONNECTED TO A PLUG PANEL MOUNT CONNECTOR 2 POLES









<b>WP2/HEM</b>			25 pcs. 150x120x110 mm	0,51 Kg
<b>FLEXIBLE CABLE</b>	<p>0,5 -2,5 mm<sup>2</sup></p> <p>Cable seals included Ø7mm, Ø8mm Ø9,5mm</p>		<p>Voltage/Current rating 450V / 17,5A</p>	





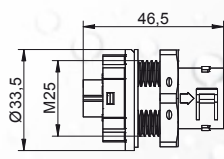


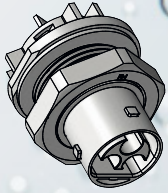
**NEW PRODUCT!**

PLUG PLUGGABLE CONNECTOR 2 POLES + 			
<b>WP3/M</b> ●		 25 pcs. 150x120x110 mm	 0,52 Kg
<b>FLEXIBLE CABLE</b>  14,15 mm 7,8 mm 0,5 - 2,5 mm <sup>2</sup> Cable seals included Ø8mm, Ø9,5mm Ø11,5mm	 46,5 <sup>+2</sup> Ø25,5 	 -40°C +85°C	
		Voltage/Current rating 450V / 17,5A	

SOCKET PLUGGABLE CONNECTOR 2 POLES + 			
<b>WP3/H</b> ●		 25 pcs. 150x120x110 mm	 0,57 Kg
<b>FLEXIBLE CABLE</b>  14,15 mm 7,8 mm 0,5 - 2,5 mm <sup>2</sup> Cable seals included Ø8mm, Ø9,5mm Ø11,5mm	 50,5 <sup>+2</sup> Ø25,5 	 -40°C +85°C	
		Voltage/Current rating 450V / 17,5A	

PLUG PLUGGABLE CONNECTOR 2 POLES + 			
<b>WP3/M32</b> ●		 10 pcs. 150x120x110 mm	 0,52 Kg
<b>FLEXIBLE CABLE</b>  25-30 mm 7 mm 0,75 - 6 mm <sup>2</sup> Cable seals included Ø13mm, Ø14mm, Ø15mm	 74,5 Ø31 	 -40°C +85°C	
		Voltage/Current rating 250V / 32A	

SOCKET PLUGGABLE CONNECTOR 2 POLES + 			
<b>WP3/H32</b> ●		 25 pcs. 150x120x110 mm	 0,58 Kg
<b>FLEXIBLE CABLE</b>  25-30 mm 7 mm 0,75 - 6 mm <sup>2</sup> Cable seals included Ø13mm, Ø14mm, Ø15mm	 80 Ø31 	 -40°C +85°C	
		Voltage/Current rating 250V / 32A	



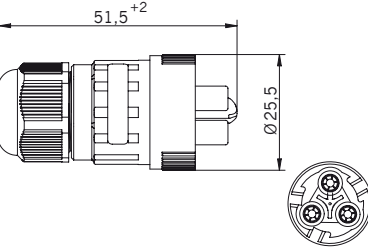

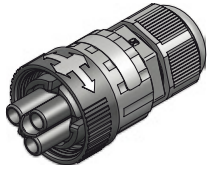

PLUG PANEL MOUNT CONNECTOR 2 POLES + 			
<b>WP3/EM32</b> ●	BUILT - IN	 25 pcs. 150x120x110 mm	 0,58 Kg
<b>FLEXIBLE CABLE</b>  25-30 mm 7,8 mm 0,5 - 2,5 mm <sup>2</sup> Cable seals included Ø8mm, Ø9,5mm Ø11,5mm	 46,5 Ø33,5 M25 	 -40°C +85°C	
		Voltage/Current rating 450V / 17,5A	

# SERIES WP68



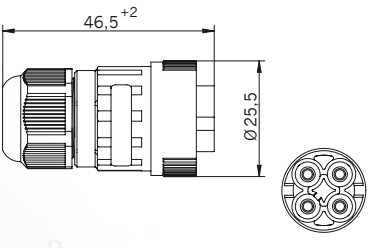

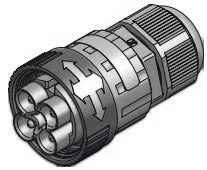

## WP2/DT





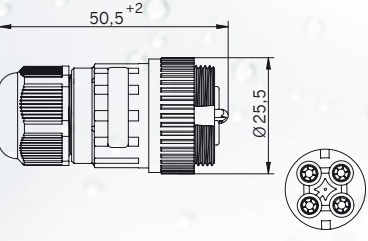

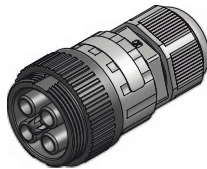

### SOCKET CONNECTOR TO BE CONNECTED TO A PLUG PANEL MOUNT CONNECTOR 2 POLES + ⊕

<b>WP3/HEM</b> ●			25 pcs. 150x120x110 mm	 0,52 Kg
<b>FLEXIBLE CABLE</b>			-40°C +85°C	
 14,15 mm 7,8 mm 0,5 -2,5 mm <sup>2</sup> Cable seals included Ø8mm, Ø9,5mm Ø11,5mm		Voltage/Current rating 450V / 17,5A		







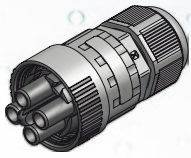
### PLUG PLUGGABLE CONNECTOR 4 POLES





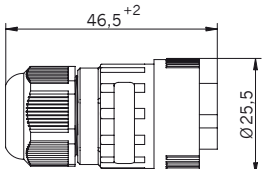


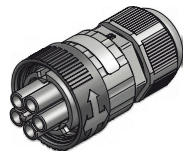
<b>WP4/M</b> ●			25 pcs. 150x120x110 mm	 0,58 Kg
<b>FLEXIBLE CABLE</b>			-40°C +85°C	
 14,15 mm 7,8 mm 0,5 -2,5 mm <sup>2</sup> Cable seals included Ø8mm, Ø9,5mm Ø11,5mm		Voltage/Current rating 450V / 17,5A		





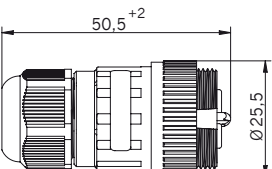
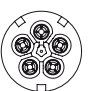

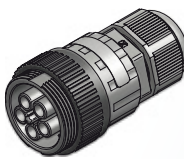
### SOCKET PLUGGABLE CONNECTOR 4 POLES








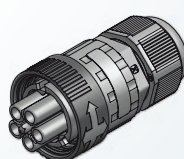
<b>WP4/H</b> ●			25 pcs. 150x120x110 mm	 0,58 Kg
<b>FLEXIBLE CABLE</b>			-40°C +85°C	
 14,15 mm 7,8 mm 0,5 -2,5 mm <sup>2</sup> Cable seals included Ø8mm, Ø9,5mm Ø11,5mm		Voltage/Current rating 450V / 17,5A		

**NEW PRODUCT!**

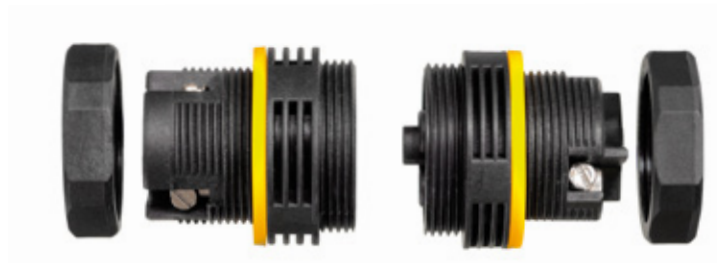
SOCKET CONNECTOR TO BE CONNECTED TO A PLUG PANEL MOUNT CONNECTOR 4 POLES			
<b>WP4/HEM</b> ●		 25 pcs. 150x120x110 mm	 0,54 Kg
<b>FLEXIBLE CABLE</b>  14,15 mm 7,8 mm 0,5 -2,5 mm <sup>2</sup> Cable seals included Ø8mm, Ø9,5mm Ø11,5mm	 51,5 <sup>+2</sup> Ø25,5 	 -40°C +85°C Voltage/Current rating 450V / 17,5A	




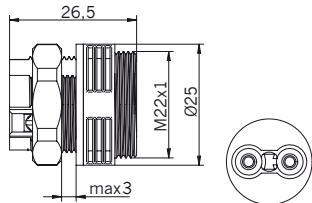
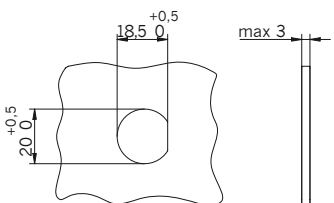


PLUG PLUGGABLE CONNECTOR 4 POLES + 			
<b>WP5/M</b> ●		 25 pcs. 150x120x110 mm	 0,53 Kg
<b>FLEXIBLE CABLE</b>  14,15 mm 7,8 mm 0,5 -1,5 mm <sup>2</sup> Cable seals included Ø9,5mm, Ø11,5mm Ø12,5mm	 46,5 <sup>+2</sup> Ø25,5 	 -40°C +85°C Voltage/Current rating 450V / 17,5A	




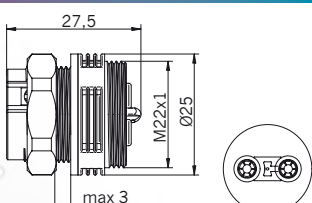
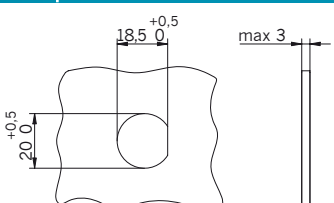


SOCKET PLUGGABLE CONNECTOR 4 POLES + 			
<b>WP5/H</b> ●		 25 pcs. 150x120x110 mm	 0,56 Kg
<b>FLEXIBLE CABLE</b>  14,15 mm 7,8 mm 0,5 -1,5 mm <sup>2</sup> Cable seals included Ø9,5mm, Ø11,5mm Ø12,5mm	 50,5 <sup>+2</sup> Ø25,5 	 -40°C +85°C Voltage/Current rating 450V / 17,5A	




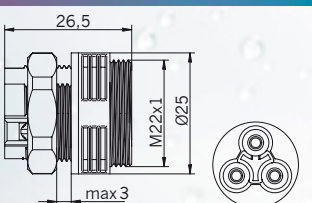
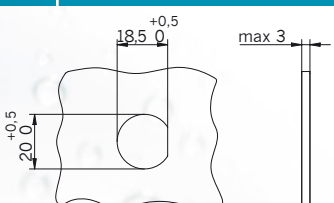

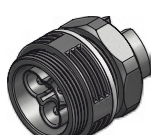
SOCKET CONNECTOR TO BE CONNECTED TO A PLUG PANEL MOUNT CONNECTOR 4 POLES + 			
<b>WP5/HEM</b> ●		 25 pcs. 150x120x110 mm	 0,53 Kg
<b>FLEXIBLE CABLE</b>  14,15 mm 7,8 mm 0,5 -1,5 mm <sup>2</sup> Cable seals included Ø9,5mm, Ø11,5mm Ø12,5mm	 51,5 <sup>+2</sup> Ø25,5 	 -40°C +85°C Voltage/Current rating 450V / 17,5A	





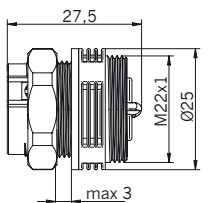

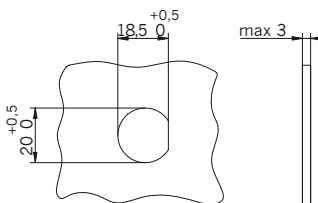

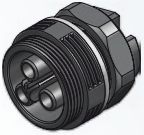
# SERIES WP68




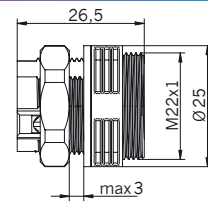
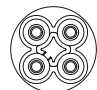
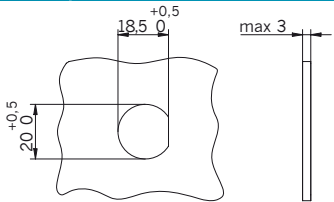

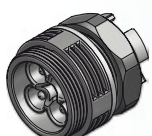





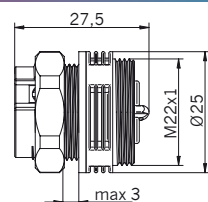

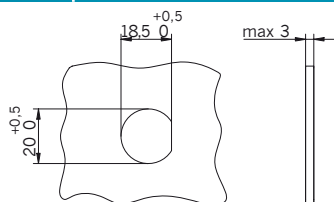


PLUG PANEL MOUNT CONNECTOR 2 POLES				
<b>WP2/EM</b>	●	BUILT - IN	 25 pcs. 150x120x110 mm	 0,34 Kg
<b>FLEXIBLE CABLE</b>				 -40°C +85°C Voltage/ Current rating 450V / 17,5A
14-15 mm 7,8 mm 0,5 -2,5 mm <sup>2</sup>				





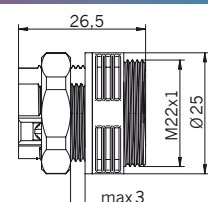

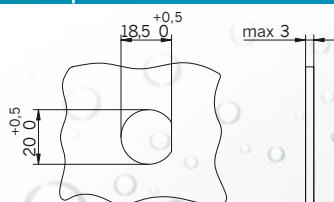

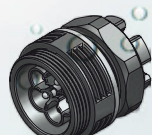
SOCKET PANEL MOUNT CONNECTOR 2 POLES				
<b>WP2/EH</b>	●	BUILT - IN	 25 pcs. 150x120x110 mm	 0,34 Kg
<b>FLEXIBLE CABLE</b>				 -40°C +85°C Voltage/ Current rating 450V / 17,5A
14-15 mm 7,8 mm 0,5 -2,5 mm <sup>2</sup>				





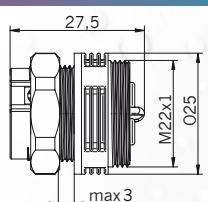

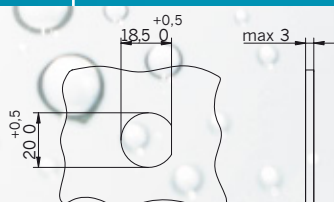


PLUG PANEL MOUNT CONNECTOR 2 POLES + ⚡				
<b>WP3/EM</b>	●	BUILT - IN	 25 pcs. 150x120x110 mm	 0,40 Kg
<b>FLEXIBLE CABLE</b>				 -40°C +85°C Voltage/ Current rating 450V / 17,5A
14-15 mm 7,8 mm 0,5 -2,5 mm <sup>2</sup>				

SOCKET PANEL MOUNT CONNECTOR 2 POLES + 					
<b>WP3/EH</b> ●	BUILT - IN		25 uds. 150x120x110 mm	 0,40 Kg	
<b>FLEXIBLE CABLE</b>  14-15 mm 7-8 mm 0,5 -2,5 mm <sup>2</sup>	 27,5 M22x1 Ø25 max 3		 18,5 <sup>+0,5</sup> 20,0 <sup>+0,5</sup> max 3	 -40°C +85°C Voltage/ Current rating 450V / 17,5A	

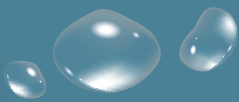
PLUG PANEL MOUNT CONNECTOR 4 POLES					
<b>WP4/EM</b> ●	BUILT - IN		25 pcs. 150x120x110 mm	 0,44 Kg	
<b>FLEXIBLE CABLE</b>  14-15 mm 7-8 mm 0,5 -2,5 mm <sup>2</sup>	 26,5 M22x1 Ø25 max 3		 18,5 <sup>+0,5</sup> 20,0 <sup>+0,5</sup> max 3	 -40°C +85°C Voltage/ Current rating 450V / 17,5A	

SOCKET PANEL MOUNT CONNECTOR 4 POLES					
<b>WP4/EH</b> ●	BUILT - IN		25 pcs. 150x120x110 mm	 0,44 Kg	
<b>FLEXIBLE CABLE</b>  14-15 mm 7-8 mm 0,5 -2,5 mm <sup>2</sup>	 27,5 M22x1 Ø25 max 3		 18,5 <sup>+0,5</sup> 20,0 <sup>+0,5</sup> max 3	 -40°C +85°C Voltage/ Current rating 450V / 17,5A	

PLUG PANEL MOUNT CONNECTOR 4 POLES + 					
<b>WP5/EM</b> ●	BUILT-IN		25 pcs. 150x120x110 mm	 0,41- Kg	
<b>FLEXIBLE CABLE</b>  14-15 mm 7-8 mm 0,5 -2,5 mm <sup>2</sup>	 26,5 M22x1 Ø25 max 3		 18,5 <sup>+0,5</sup> 20,0 <sup>+0,5</sup> max 3	 -40°C +85°C Voltage/ Current rating 450V / 17,5A	

SOCKET PANEL MOUNT CONNECTOR 4 POLES + 					
<b>WP5/EH</b> ●	BUILT - IN		25 pcs. 150x120x110 mm	 0,41 Kg	
<b>FLEXIBLE CABLE</b>  14-15 mm 7-8 mm 0,5 -2,5 mm <sup>2</sup>	 27,5 M22x1 Ø25 max 3		 18,5 <sup>+0,5</sup> 20,0 <sup>+0,5</sup> max 3	 -40°C +85°C Voltage/ Current rating 450V / 17,5A	





## WP3/DT




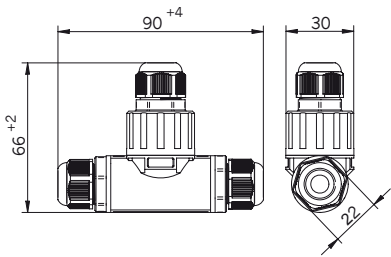

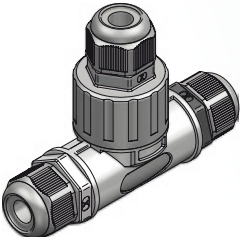





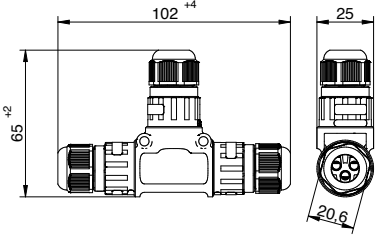


## WP3/DTE



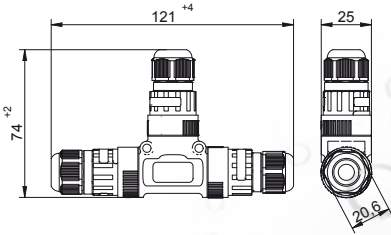



Connector leads  
**WP3/M**

Power supply with connector  
**WP3/HEM**

<b>TEE CONNECTOR 1 INPUT / 2 OUTPUTS</b>			
<b>WP2/DT</b> ●		 6 pcs. 150x120x110 mm	 0,29 Kg
<b>FLEXIBLE CABLE</b>  0,75 -1,5 mm <sup>2</sup> Cable seals included Ø7mm, Ø8mm Ø9,5mm		 -40°C +85°C Voltage/Current rating 450V /24A	

<b>TEE CONNECTOR 1 INPUT / 2 OUTPUTS - 2 POLES + ⚡</b>			
<b>WP3/DT</b> ●		 6 pcs. 150x120x110 mm	 0,32 Kg
<b>FLEXIBLE CABLE</b>  0,75 -1,5 mm <sup>2</sup> Cable seals included Ø8mm, Ø9,5mm Ø11,5mm		 -40°C +85°C Voltage/Current rating 450V /32A	

<b>TEE CONNECTOR 1 INPUT / 2 OUTPUTS - 2 POLES + ⚡</b>			
<b>WP3/DTE</b> ●		 6 pcs. 150x120x110 mm	 0,32 Kg
Power supply with connector <b>WP3/HEM</b> Connector leads <b>WP3/M</b>		 -40°C +85°C Voltage/Current rating 450V /32A	