

User manual for wireless motion detector

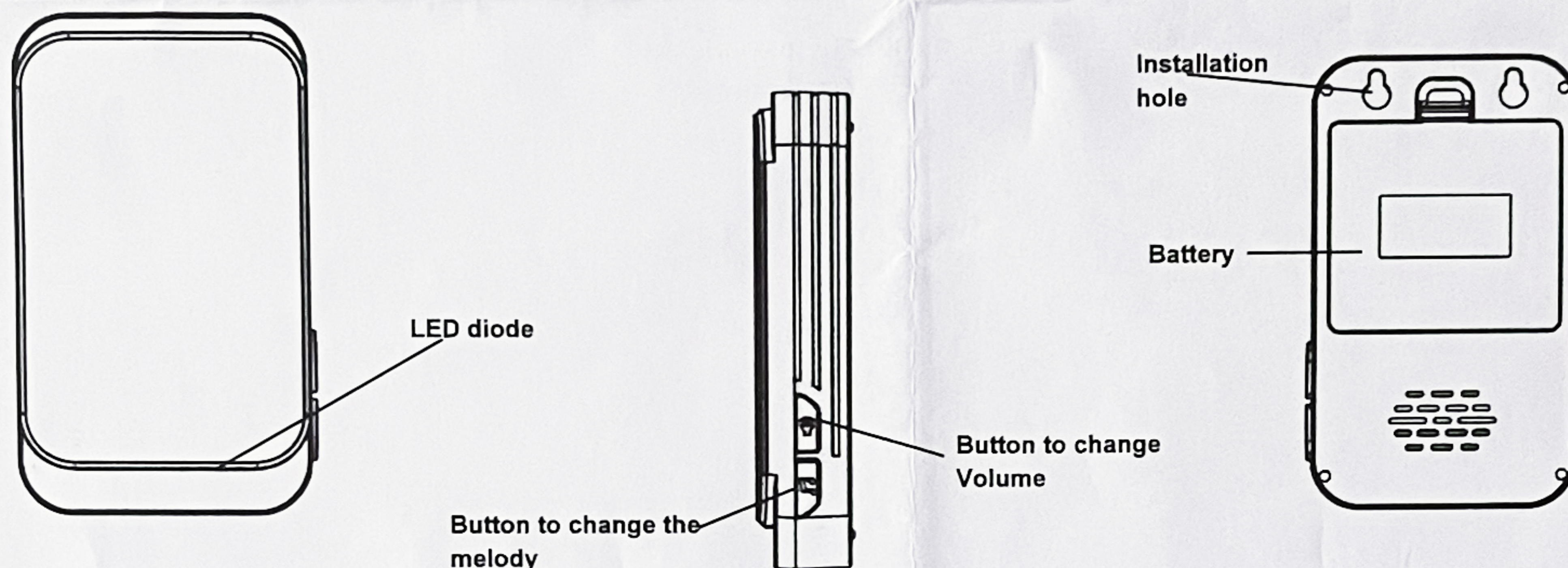


Dear customer, thank you for purchasing our product. Please read the following instructions carefully and follow them to serve you safely and to your full satisfaction. Avoid unprofessional handling of this appliance and always follow the electrical appliance usage guidelines. Keep the instruction manual. For use in the home or indoors. Do not expose the receiver (doorbell) to environments with high humidity, avoid contact with liquids and aggressive substances

Description

The device is used to alert you to a movement in the monitored area. The range of the signal is max. 40m in an open area. The receiver and transmitter (sensor) operate at a frequency of 433.92 ± 1 MHz.

Receiver: Open the battery cover and insert 3x AA alkaline 1.5V batteries. Observe the marked polarity. Adjust the melody and volume using the control buttons. The volume level changes from lowest to highest and back again, one beep is heard each time. The receiver can be freely stood up, laid down or hung on the mounting hole. Do not cover the speaker.

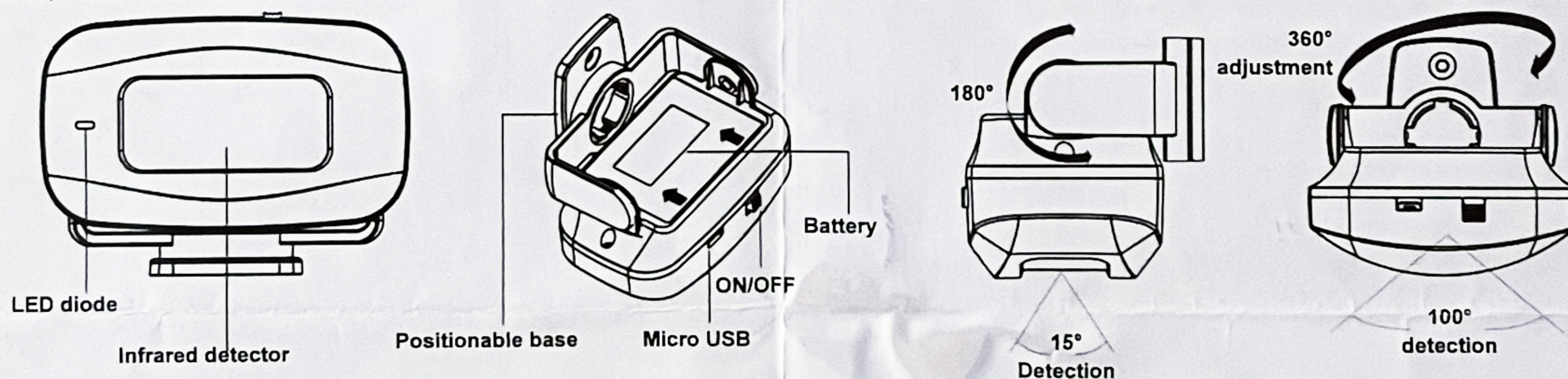


Transmitter:

Power: Open the battery cover and insert 3x AAA alkaline 1.5V batteries. Observe the marked polarity. To power the device from an external source, connect the USB charger cable to the Micro USB connector. Use an adapter with a DC 5V output voltage. Do not insert batteries when using USB power; the transmitter is also not used to charge batteries. You can use the power switch to turn the sensor off.

Installation: The infrared inductive sensor detects motion at angles of 100° horizontally and 15° vertically. The detection range is 0 - 8m. Place the transmitter at this distance from the desired monitoring location. The swivel base can be mounted with mounting holes on the wall or placed freely on a table. Thanks to the 360° rotation of the base and 180° rotation of the transmitter mount, the correct detection angle can be set at any location. Before installing the screws into the wall, first test whether the detector is able to detect motion from that location.

Note: The transmitter detects horizontal or vertical movement in front of the infrared sensor, e.g. from left to right or from top to bottom, roughly parallel to the back cover of the unit. Perpendicular movement, e.g. a person approaching to the sensor, may not be 100% detected and the audible alarm may not sound. Therefore, place the transmitter in places where people will be passing by, not approaching. Environmental conditions such as high humidity, very low temperature, dense fog, smoke or rapid temperature changes such as airflow from an air conditioner, fan or chimney may impair motion detection. Wireless transmission is limited by walls, metal and iron-concrete structures, Radio-TV-WiFi devices and other types of electromagnetic waves and shielding.



Power supply	Receiver	DC 4.5V, 3x AA
	Sensor	DC 4.5V, 3x AAA / USB DC 5.0V
Power consumption	Receiver	<0,5W
	Sensor	<10mW
Optional melodies	Receiver	36
Volume	Receiver	65 - 80 dB
Working Temperature	Receiver & Sensor	-10°C / +50°C
Signal range	Sensor	max. 40m
Transmitting frequency	Receiver & Sensor	433,92 \pm 1 MHz