

PESP/PER Series Surge Protector



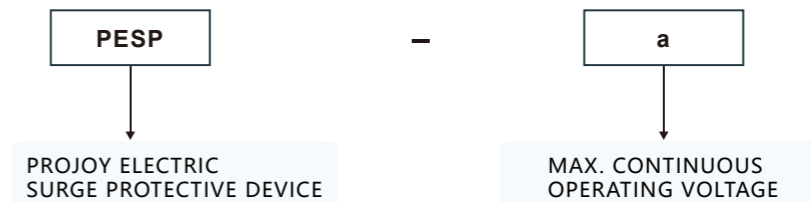
PROJOY
electric

— Switch To Safety! —

PROJOY
electric

— Switch To Safety! —

Select Code



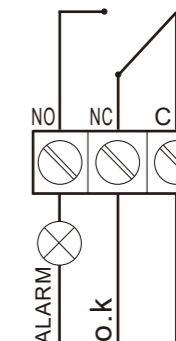
Failure and disengagement device Alarm remote signaling device

Failure and disengagement device

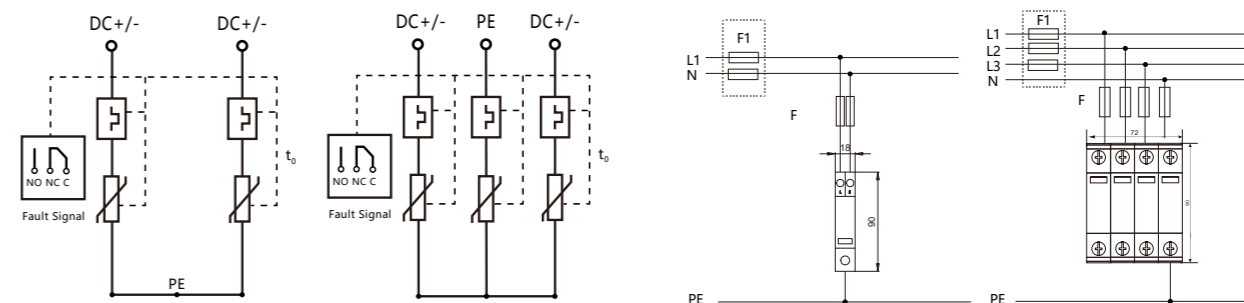
The surge protector is provided with a fail-safe device. When the protector breaks down due to overheating, the fail-safe detach device can automatically detach from the power grid and give an indication signal. When the protector is normal, the display window will show green, and after failure, the display window will show red.

Alarm remote signaling device

The protector can be made into a variety with remote signaling contacts. The remote signaling contacts have a set of normally open and normally closed contacts. When the protector is working normally, normally closed contacts are connected. If one or more modules of the protector fail, the contact will change from normally open to normally closed. Normally open contacts will work and send trouble information.



Contact Configuration



High Craftsmanship AND High Standards



Flame retardant material



High reliability



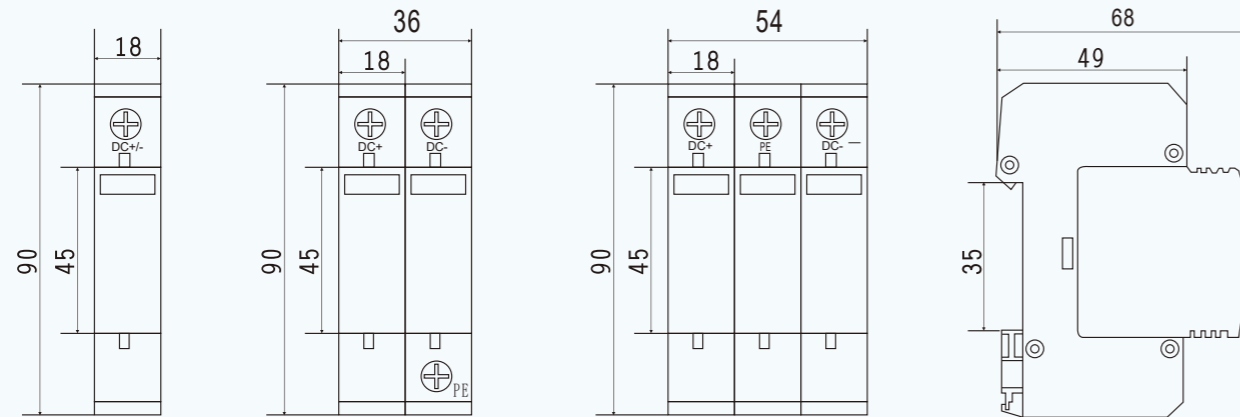
Diverse



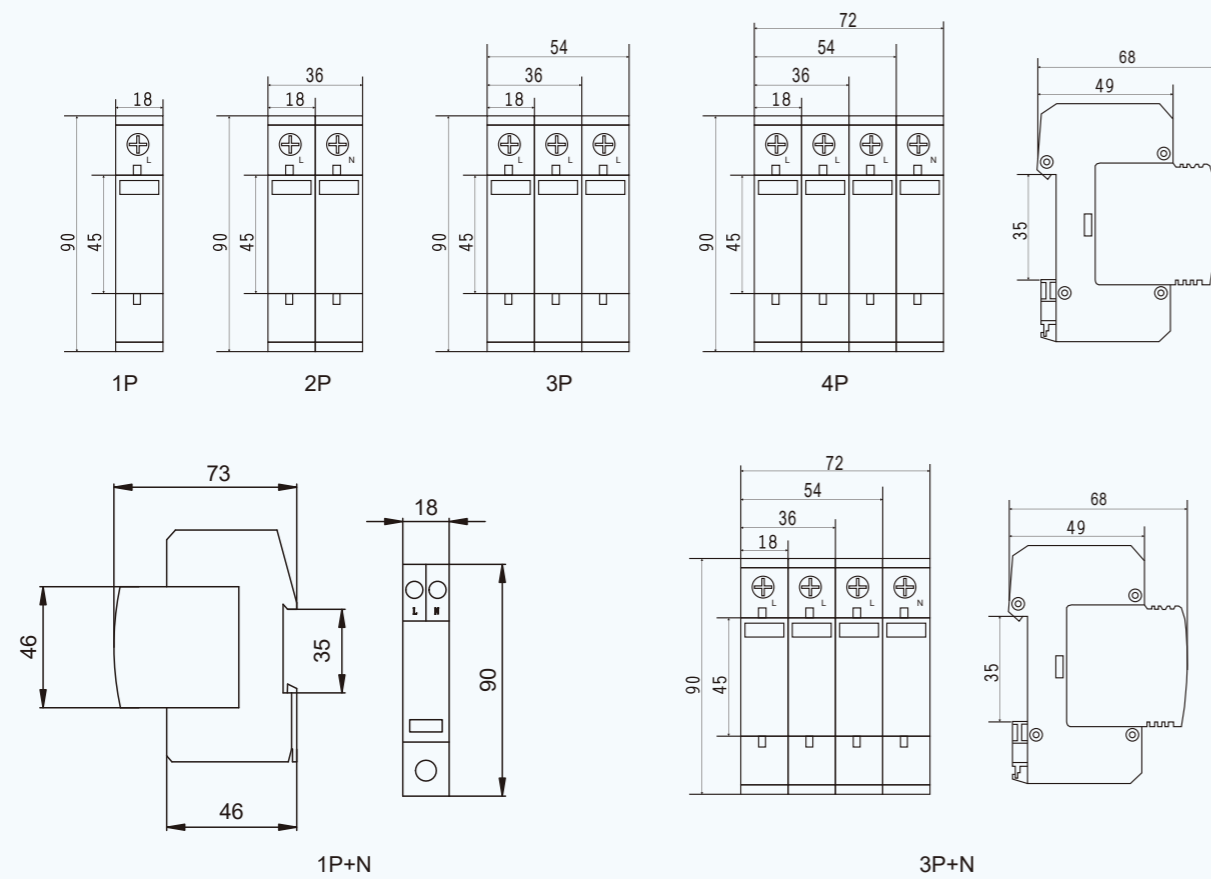
-40°C~+70°C
Ambient temperature range

Dimensions

PESP-500/600/1000/1500



PER-C20



Technical data

| Type | PESP-500 | PESP-600 | PESP-1000 | PESP-1500 |
|---|--|----------|-----------|-----------|
| SPD according | Type 1/2 | | | |
| Pole | 1P/2P/3P | | | 3P |
| Standards compliance | GB/T18802.1-2016, IEC61643-31:2018, EN61643-31:2019 | | | |
| Max. Continuous Operating Voltage Ucpv | 500V DC | 600V DC | 1000V DC | 1500V DC |
| Max. Discharge Current I _{max} (Optional) | 40kA (8/20μs) | | | |
| Nominal Discharge Current I _n (Optional) | 20kA (8/20μs) | | | |
| Impulse current by pole I _{imp} (Optional) | 5kA (8/20μs) | | | |
| Protection level U _p (L-N / N-G / L-G) | 3.0 kV | 3.0 kV | 3.5kV | 4.0 kV |
| Response Time t _A | ≤25ns | | | |
| Operating Temperature | -40°C~70°C | | | |
| Install Traverse Area | 16~25 mm ² | | | |
| Housing Material | PA66/PBT UL94 V-0 | | | |
| Communication module | Built-in (Optional) | | | |
| Protection Rating | IP20 | | | |
| Dimensions | When the window displays red, the product is invalid and needs to be replaced. | | | |
| Installation dimensions | See outline and mounting dimensions | | | |
| Mounting | Symmetrical rail 35 mm | | | |
| Remote signalization connection | 250VAC/0.1A 125VDC/0.2A 75VDC/0.5A | | | |

| Type | PER-C20 | | | |
|--|--|-------------|---------|---------|
| SPD according | Type 1/2 | | | |
| Pole | 1P/2P/3P/4P/1P+N/3P+N | 1P/2P/3P/4P | | |
| Standards compliance | GB/T18802.31-2016, IEC61643-31:2018, EN61643-31:2019 | | | |
| Max. Continuous Operating Voltage Ucpv | 275V AC | 385V AC | 420V AC | 440V AC |
| Max. Discharge Current I _{max} | 40kA (8/20μs) | | | |
| Nominal Discharge Current I _n | 20kA (8/20μs) | | | |
| Impulse current by pole I _{imp} | 5kA (8/20μs) | | | |
| Protection level U _p | 1.5 kV | 1.8kV | 2.0kV | 2.2kV |
| Response Time t _A | ≤25ns | | | |
| Operating Temperature | -40°C ~ 70°C | | | |
| Install Traverse Area | 16 ~ 25mm ² | | | |
| Housing Material | PA66/PBT UL94 V-0 | | | |
| Protection Rating | IP20 | | | |
| Dimensions | When the window displays red, the product is invalid and needs to be replaced. | | | |
| Installation dimensions | See outline and mounting dimensions | | | |
| Mounting | Symmetrical rail 35 mm | | | |