

# PORTABLE POWER STATION

May the power be with you



## HBP 1600 TP (500W/450Wh)

The portable power supply allows you to have accessible power wherever you go. It's a valuable gadget for emergencies, camping trips, boating trips, and more. With its ability to support 5 devices at a power of 500W, you'll live in comfort knowing that your devices will stay on top of charge.



### EMERGENCY

To survive a blackout



### TRAVEL

Portable power for adventures



### MEDICAL SECURITY

Used in the medical emergency

- + Lithium iron phosphate, the safest chemistry of all lithium battery types
- + Superb performance and long lifespan
- + Multiple operation modes available
- + Suitable for outdoor adventures
- + Charge 5 devices simultaneously
- + Great for emergencies



Smartphone  
(4000mAh)

Full charge  
**32**  
times



Bulb  
(40W)

Discharge  
**12**  
hours



Home use fan  
(75W)

Discharge  
**7**  
hours



Laptop  
(35W)

Discharge  
**13.5**  
hours



Cooking machine  
(500W)

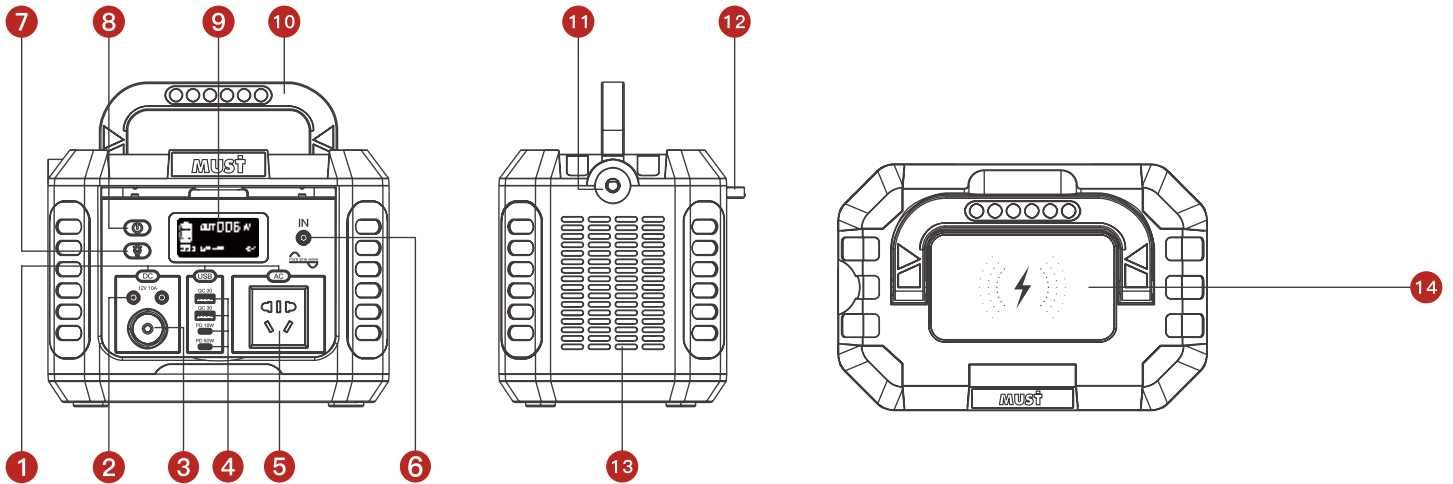
Discharge  
**0.9**  
hours



# PORTABLE POWER STATION HBP 1600 TP SERIES

**MUST**<sup>®</sup>

## Pic of Input & Output Ports



- |                           |                       |                      |
|---------------------------|-----------------------|----------------------|
| 1. Solar switch           | 6. In charge port LED | 11. LED light        |
| 2. DC 12V/10A             | 7. LED light switch   | 12. Cover            |
| 3. Cigarette lighter port | 8. Turn on/off        | 13. Vents            |
| 4. USB/PD Output          | 9. LCD screen         | 14. Wireless charger |
| 5. AC                     | 10. Handler           |                      |

## Specifications

 <b>Capacity</b>   450Wh	 <b>Weight</b>   5.5kg	 <b>Dimensions</b>   241×178×161mm
 <b>DC Input</b>   DC5521 12-24V-5A	 <b>AC Output</b>   AC220±5%	 <b>Car Port</b>   12V/10A max
 <b>USB Output</b>   2×USB-A QC3.0 max 12V/1.5A	 <b>Battery</b>   Lithium-ion	 <b>Lifecycles</b>   ≥ 1000
 <b>Management System</b>   Short-circuit Protection Over-load Protection/Over-heat Protection Over-voltage Protection Over-current Protection Short-voltage Protection	 <b>MPPT</b>   Support Solar Panel MPPT Charging	 <b>Technical Support</b>   Lifetime
 <b>Certifications</b>   RoHS UN38.3 CE	 <b>Operating Temperature</b>   -10~40°C	 <b>Recharging Temperature</b>   0~40°C